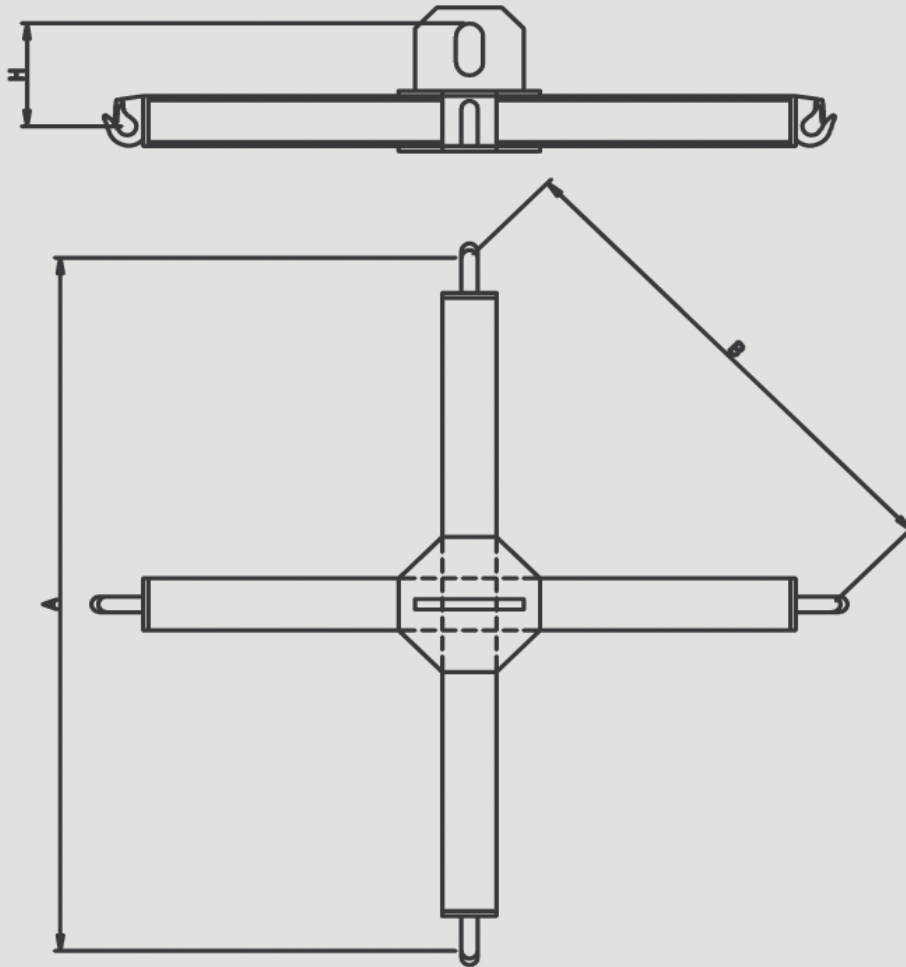


SPREADER BEAM CROSS X FOR BIG BAGS



Supplied as standard with sheet metal section structure, finished with rust-proofing and two coats of paint.
 Spreader beam with welded hooks and superimposed lifting points to lift the chain and rope
 For high capacity spreader beam. For beam customizations, please fill out an application evaluation form online.

MODEL	CAPACITY	A	B	H	WEIGHT
	KG	(mm)	(mm)	(mm)	KG
BX1-950	1000	950	650	210	28
BX1-1150	1000	1150	800	210	34
BX1-1450	1000	1450	1000	210	40
BX1-1750	1000	1750	1200	230	52
BX2-950	2000	950	650	230	38
BX2-1150	2000	1150	800	230	44
BX2-1450	2000	1450	1000	230	60
BX2-1750	2000	1750	1200	250	72